

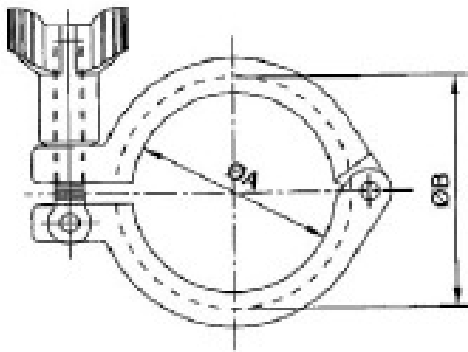


GENEBRE PART: 2986 SANITARY QUICK RELEASE CLAMP



SPECIFICATIONS

1	Made of AISI 304
2	Sanitary Polish
3	Made according to Clamp (BS 4825-3 Standard)
4	Max Working Pressure 10Kg / cm ²



DIMENSIONS

AVOL REF	SIZE mm	PN	A	B	Wt (Kg)
2986 04	1/2" - 3/4"	10	20	28	0.230
2986 06	1" - 1 1/2"	10	44.4	53.6	0.300
2987 09	2"	10	57.8	67	0.350
2987 10	2 1/2"	10	71.4	80.6	0.380
2987 11	3"	10	84	94.2	0.398
2987 12	4"	10	110	122.2	0.560